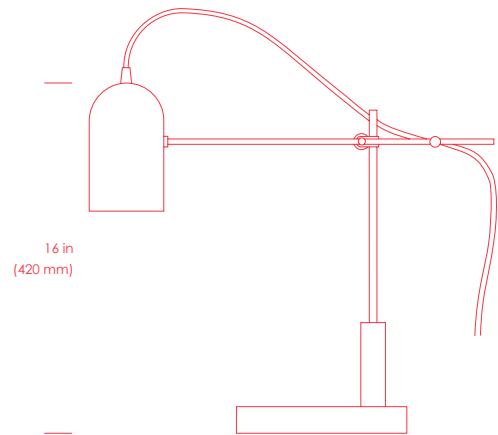
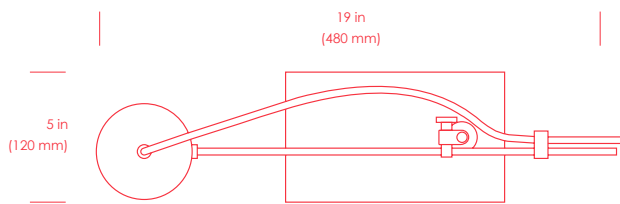


Deadstock Catherine Table Light



castor

Deadstock Catherine Table Light



Description

The Catherine Table Lamp is designed around a cylindrical shade salvaged from a defunct lighting factory. It has a base made of Carrara marble salvaged from the First Canadian Place and a support made of machined brass.

Materials

Brass
Steel
Carrara Marble

Bulb

North America
Dimmable 4.5W E12 LED Bulb
310 Lumens, 2700K
Bulb included with purchase

Europe
E14 socket, bulb not included

Models

DS-CTL
19 in x 4.75 in x 16.5 in
(480 mm x 120 mm x 420 mm)
7 lbs (3.2 kg)

Finish

DS-CTL-B
Gunmetal black

DS-CTL-W
White powder coat

Care

This product will develop a patina with time and use. Polish the steel and brass with a rust remover (Brasso, for example) with a soft, damp cloth. Always switch off electrical supply before cleaning.

Electrical

120 V US / 240 V EU
White or black cord,
72 in (1828 mm) W/ Dimmer

This product complies with and is certified to all North American electrical safety standards.