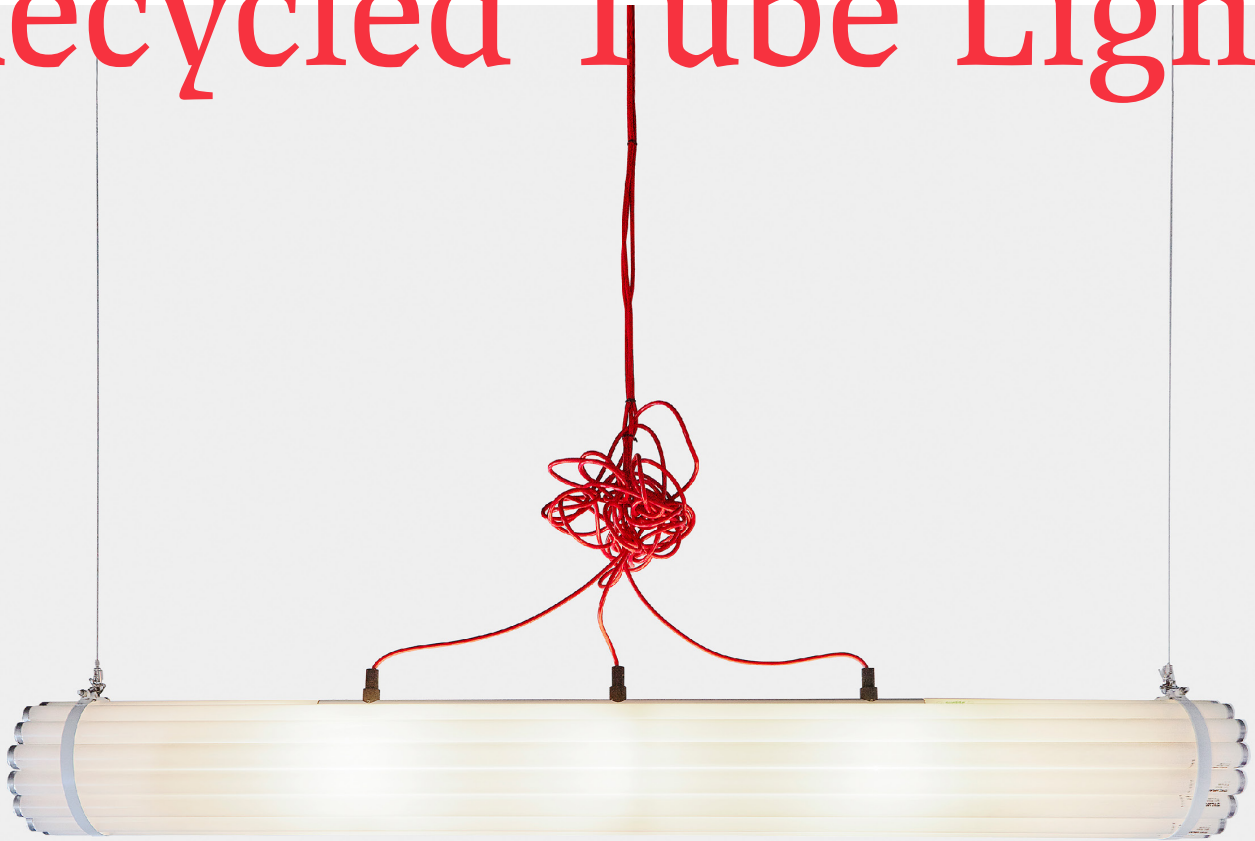
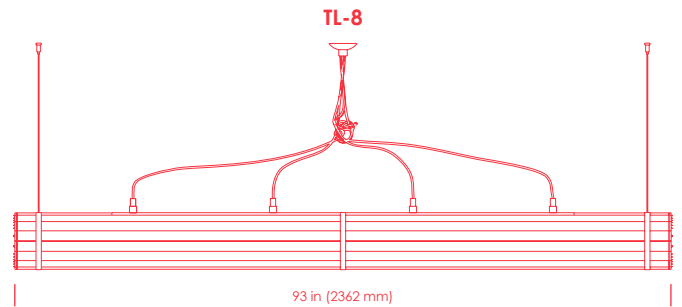
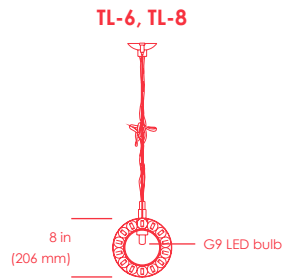
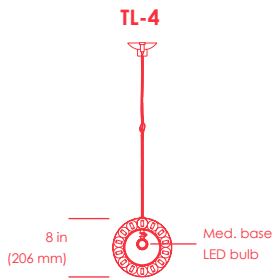
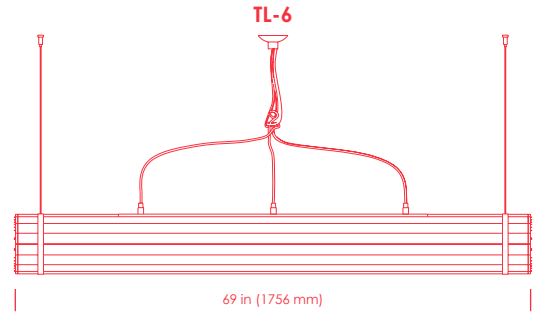
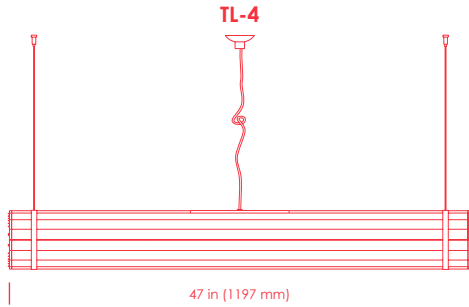


Recycled Tube Light



castor

Recycled Tube Light



Description

The Recycled Tube Light is built from burned-out fluorescent bulbs, lit from within by LED bulbs. Available in 4ft, 6ft, and 8ft length, or in a vertical arrangement. There are red and black cord options, intended to be presented in a bundle above the light.

Models

TL-4
47.125 in x 8.125 in
(1197 mm x 206 mm)
13 lbs (5.9 kg)

TL-6
69.125 in x 8.125 in
(1756 mm x 206 mm)
15 lbs (6.8 kg)

TL-8
93 in x 8.125 in
(2362 mm x 206 mm)
18 lbs (8.2 kg)

Finish & Materials

White powder coat
Red powder coat

Recycled fluorescent tubes
Steel
Rubber
Hardware

Black canopy, 5 in (127 mm) Ø

Bulb

TL-4
2x dimmable 8W E26/E27 LED Bulb
500 Lumens, 2700K

TL-6
3x dimmable 3.7W G9 LED
500 Lumens, 3000K

TL-8
4x dimmable 3.7W G9 LED
500 Lumens, 3000K

Care

Clean with a soft, damp cloth.
Always switch off electrical supply
before cleaning.

Electrical

120 V US / 240 V EU, dimmable
Red or black cord,
144 in (3656 mm)

This product complies with and
is certified to all North American
electrical safety standards.